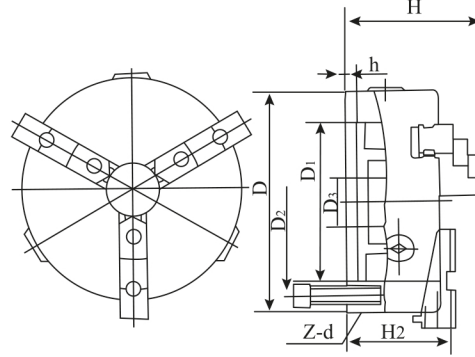
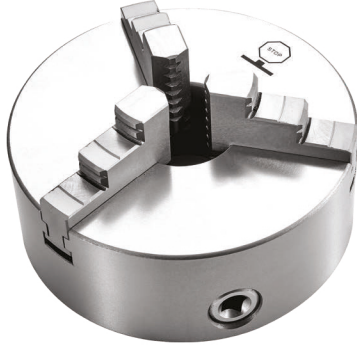


3 AYAKLI TORNA AYNASI

3 JAW SELF - CENTERING CHUCK



Standart Seri

Sipariş Kodu	Ölçü	D1	D2	D3	H	h	z-d	Max Devir	Max Hız	
PTA-1080	80 mm	55	66	16	66	3,5	3-M6	40	4800	
PTA-1100	100 mm	72	84	22	74,5	3,5	3-M8	60	4200	
PTA-1125	125 mm	95	108	30	84	4	3-M8	100	3800	
PTA-1160	160 mm	130	142	45	95	5	3-M8	160	3600	
PTA-1200	200 mm	165	180	65	109	5	3-M10	250	3000	
PTA-1250	250 mm	206	226	80	120	5	3-M12	320	2400	
PTA-1315	315 mm	260	285	100	136	6	3-M16	400	1800	
PTA-1400	400 mm	340	368	145	154	6	3-M16	500	1200	
PTA-1500	500 mm	440	465	210	175	6	6-M16	630	850	
PTA-1630	630 mm	560	595	270	218	7	6-M16	800	600	